

# 1 x 15" LONGTHROW

# BASS CABINET

### APPLICATIONS

15" Bass Bin for use with other cabinets in P.A. or musical instrument applications.

### LOUDSPEAKERS

Most suitable for lower resonance loudspeakers without Aluminium Domes.

### PERFORMANCE

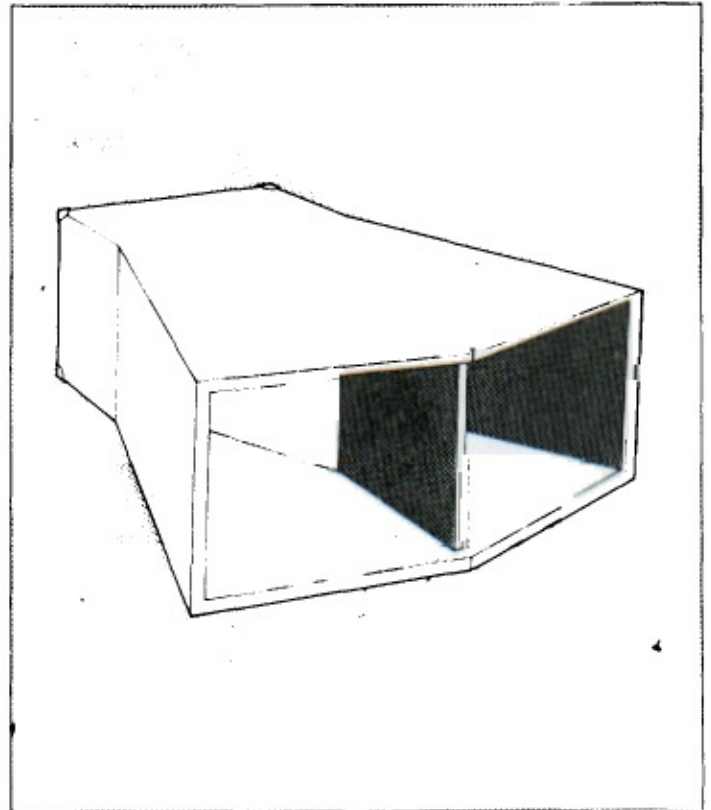
From 60 Hz to 700 Hz at a sensitivity of 104 dB for 1 Watt, 1 Metre dependant on model selected.  
High Efficiency Long throw fundamenta Bass.

### CONSTRUCTION

Fairly complex. Panels need mitreing accurately. Mark out side panel as section 'xx' to aid assembly.

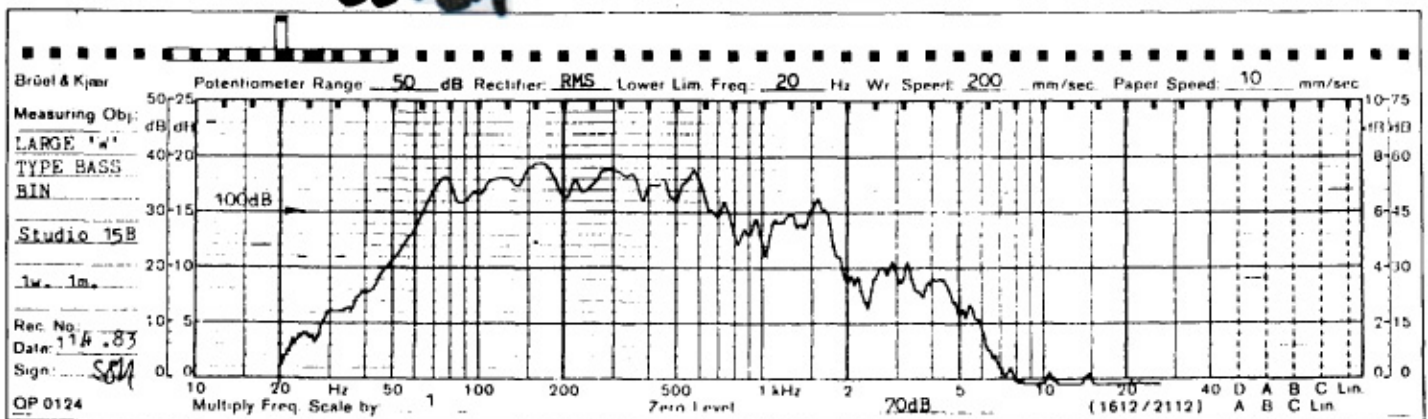
### MATERIALS

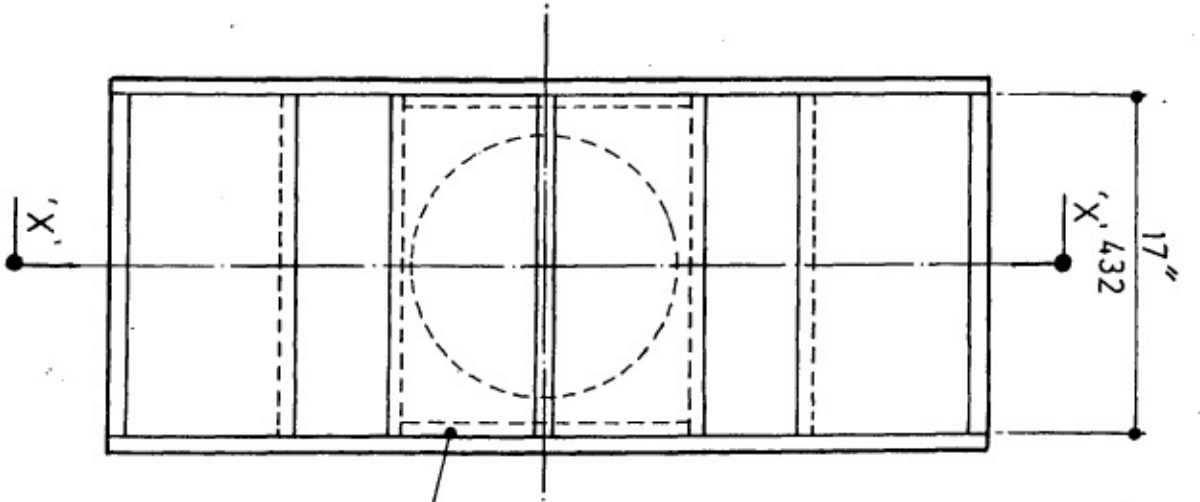
1 2/3 sheets of 18mm (3/4") Board in 8' x 4' sheets size (2438 x 1219).



### SPECIAL NOTES

*Handwritten notes:*  
ARRIVO  
Sokolov  
OLISTON  
RENAVIT + CEPISA  
2438 x 1219

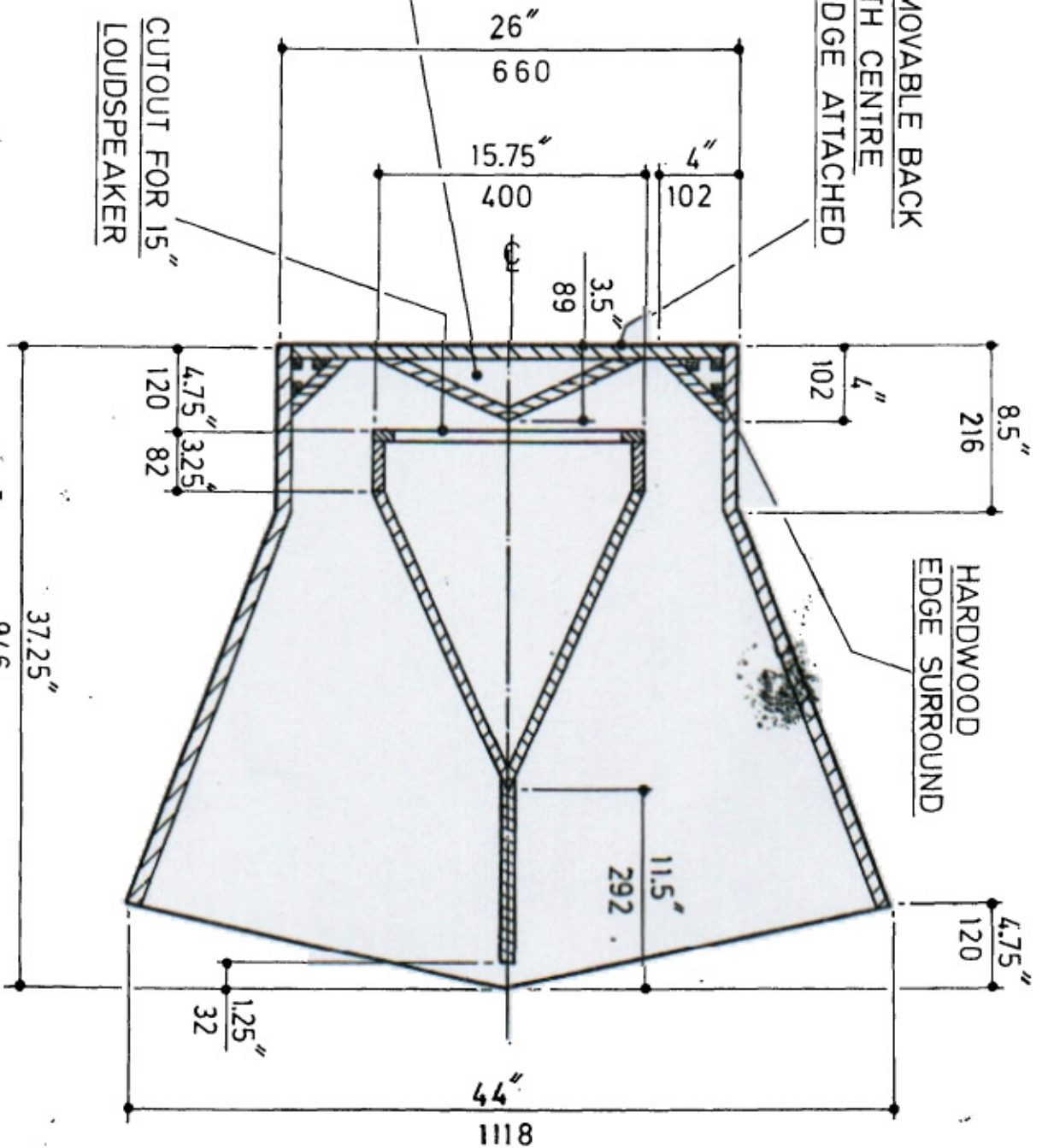




ENDS OF CENTRE WEDGE  
MUST BE SEALED.

CUTOUT FOR 15"  
LOUDSPEAKER

REMOVABLE BACK  
WITH CENTRE  
WEDGE ATTACHED



HARDWOOD  
EDGE SURROUND

SECTION 'X-X'